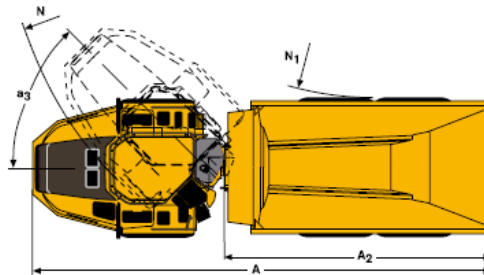
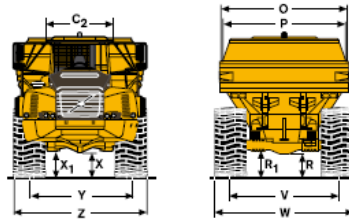
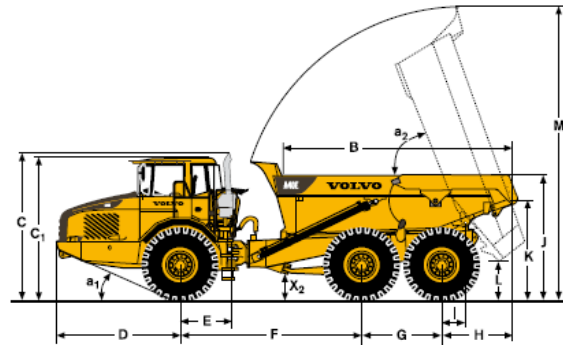


# SPECIFICATIONS

Pos	Metric (mm)		Imperial (Feet)	
	A35E	A40E	A35E	A40E
A	11 182	11 265	36'8"	37'0"
A <sub>2</sub>	6 242	6 404	20'6"	21'0"
B	5 531	5 820	18'2"	19'1"
C	3 716	3 768	12'2"	12'4"
C <sub>1</sub>	3 545	3 596	11'8"	11'10"
C <sub>2</sub>	1 769	1 769	5'10"	5'10"
D	3 101	3 101	10'2"	10'2"
E	1 278	1 278	4'2"	4'2"
F	4 578	4 518	15'0"	14'10"
G	1 820	1 940	6'0"	6'4"
H	1 683	1 706	5'6"	5'7"
I	650	495	2'2"	1'7"
J	2 939	3 152	9'8"	10'4"
K	2 314	2 455	7'7"	8'1"
L	899	841	2'11"	2'9"
M	7 246	7 284	23'9"	23'11"
N	8 826	8 885	28'11"	29'2"
N <sub>1</sub>	4 423	4 335	14'6"	14'3"
O	3 106	3 374	10'2"	11'1"
O <sup>***</sup>	3 305	3 497	10'10"	11'6"
P	2 870	3 074	9'5"	10'1"
R	580	628	1'11"	2'1"
R <sub>1</sub>	668	716	2'2"	2'4"
V	2 534	2 636	8'4"	8'8"
V*	2 625	-----	8'7"	-----
W	3 258	3 432	10'8"	11'3"
W <sup>*)</sup> **	3 410	3 570	11'2"	11'9"
X	521	576	1'9"	1'11"
X <sub>1</sub>	602	657	2'0"	2'2"
X <sub>2</sub>	754	806	2'6"	2'8"
Y	2 534	2 636	8'4"	8'8"
Y*	2 625	-----	8'7"	-----
Z	3 258	3 432	10'8"	11'3"
Z <sup>*)</sup> **	3 410	3 570	11'2"	11'9"
a <sub>1</sub>	23,3°	24,3°	23,3°	24,3°
a <sub>2</sub>	70°	72°	70°	72°
a <sub>3</sub>	45°	45°	45°	45°

A35E: Unloaded machine with 26,5 R25  
A40E: Unloaded machine with 29,5 R25  
\*) A35E with optional 775/65R29 tires  
\*\*) A40E with optional 875/65R29 tires



### Load capacity

	A35E		A40E	
<b>Standard Body</b>				
Load capacity	33 500 kg	37 sh tn	39 000 kg	43 sh tn
Body, struck	16,0 m <sup>3</sup>	20.9 yd <sup>3</sup>	18,4 m <sup>3</sup>	24.1 yd <sup>3</sup>
Body, heaped	20,5 m <sup>3</sup>	26.8 yd <sup>3</sup>	24,0 m <sup>3</sup>	31.4 yd <sup>3</sup>
<b>With overhung tailgate</b>				
Body, struck	16,4 m <sup>3</sup>	21.5 yd <sup>3</sup>	18,8 m <sup>3</sup>	24.6 yd <sup>3</sup>
Body, heaped	21,4 m <sup>3</sup>	28.0 yd <sup>3</sup>	24,7 m <sup>3</sup>	32.3 yd <sup>3</sup>

### Weights

	A35E		A40E	
<b>Tires</b>	26,5R25*		29,5R25**	
<b>Operating weight unloaded</b>				
Front	14 700 kg	32 408 lb	15 700 kg	34 613 lb
Rear	13 400 kg	29 542 lb	14 500 kg	31 967 lb
Total	28 100 kg	61 950 lb	30 200 kg	66 580 lb
Payload	33 500 kg	73 855 lb	39 000 kg	85 980 lb
<b>Total weight</b>				
Front	17 700 kg	39 022 lb	19 650 kg	43 321 lb
Rear	43 900 kg	96 783 lb	49 550 kg	109 239 lb
Total	61 600 kg	135 805 lb	69 200 kg	152 560 lb

Operating weight includes all fluids and operator

\*) A35E with tires 775/65R29, add 200 kg (441 lb)/axle

\*\*) A40E with tires 875/65R29, add 300 kg (661 lb)/axle

### Body material

Front	8 mm	0.31"
Sides	12 mm	0.47"
Bottom	14 mm	0.55"
Chute	16 mm	0.63"
Yield strength	1000 N/mm <sup>2</sup>	145000 psi
Tensile strength	1250 N/mm <sup>2</sup>	181000 psi
Hardness	400 HB	

### Ground Pressure

	A35E				A40E			
	26,5R25		775/65R29		29,5R25		875/65R29	
<b>Unloaded</b>								
Front	123 kPa	17.8 psi	106 kPa	15.3 psi	110 kPa	16.0 psi	96 kPa	13.9 psi
Rear	56 kPa	8.1 psi	49 kPa	7.1 psi	51 kPa	7.4 psi	46 kPa	6.7 psi
<b>Loaded</b>								
Front	148 kPa	21.5 psi	127 kPa	18.4 psi	138 kPa	20.0 psi	120 kPa	17.4 psi
Rear	184 kPa	26.7 psi	157 kPa	22.8 psi	174 kPa	25.2 psi	151 kPa	21.9 psi

### Speed

	A35E		A40E	
<b>Forward</b>				
1	6,2 km/h	3.9 mph	5,8 km/h	3.6 mph
2	9,0 km/h	5.6 mph	8,4 km/h	5.2 mph
3	11,0 km/h	6.8 mph	10,4 km/h	6.5 mph
4	16,0 km/h	9.9 mph	14,9 km/h	9.3 mph
5	23,0 km/h	14.3 mph	21,6 km/h	13.4 mph
6	29,1 km/h	18.1 mph	27,3 km/h	17.0 mph
7	38,5 km/h	23.9 mph	36,0 km/h	22.4 mph
8	50,9 km/h	31.6 mph	47,6 km/h	29.6 mph
9	57 km/h	35.4 mph	57 km/h	35.4 mph
<b>Reverse</b>				
1	6,9 km/h	4.3 mph	6,5 km/h	4.0 mph
2	10,0 km/h	6.2 mph	9,4 km/h	5.8 mph
3	18,0 km/h	11.2 mph	18,0 km/h	11.2 mph

### Fill capacities

	A35E		A40E	
Crankcase	50 litre	13.2 US gal	55 litre	14.5 US gal
Fuel tank	480 litre	126.8 US gal	545 litre	144.0 US gal
Cooling system	100 litre	26.4 US gal	100 litre	26.4 US gal
Transmission, total	38 litre	10 US gal	38 litre	10 US gal
Dropbox	9 litre	2.2 US gal	9 litre	2.2 US gal
Axles, front/rear	48 litre	12.7 US gal	55 litre	14.5 US gal
Brake cooling tank	121 litre	32.0 US gal	121 litre	32.0 US gal
Hydraulic tank	262 litre	69.2 US gal	262 litre	69.2 US gal